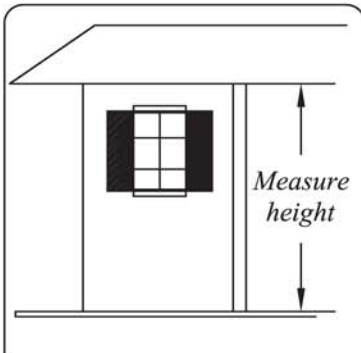


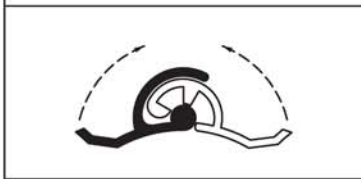
Round Aluminum Column Assembly & Installation Instructions



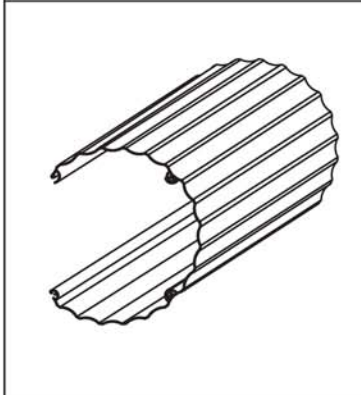
Step 1.> Measure opening...Cut column stave 1/4" longer with hack saw.

Step 2.> To assemble, hook staves together... small hook joins large hook.

Step 3.> Hook all staves together until only one stave remains.

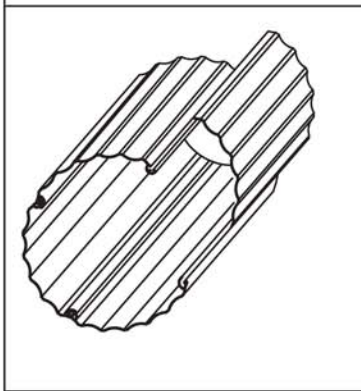


Step 4.> Slide remaining stave into place, tap lightly if necessary.



Note: When installing 15", 18" or 24" round columns, insert the provided cardboard installation tool this holds the column round, making it easier to slide on the Cap & Base.

Step 5.> Put Cap & Base on columns...set in place and plumb with level.



Step 6.> Slide Cap and Base into place...Secure Cap and Base to Column by drilling and inserting screws all the way thru the Column wall. Tighten screws securely.

Important Notes:

1. Load-bearing capacity is dependent on distributing the load evenly over bearing surfaces of the shaft.
2. When cutting columns to size, all columns staves should be the same length.
3. Installation should be on a smooth and level surface.
4. All information is of a general nature; columns should be installed and secured (fastened) according to standard construction practices and in compliance with applicable local, state and federal building regulations.

