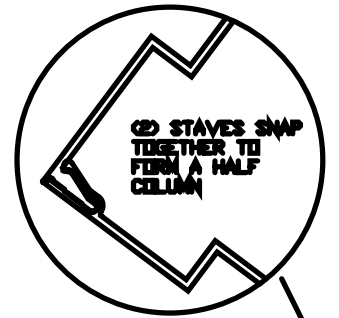


WRAPPIN

ACADIAN COLUMN SIZE	No. of Staves Per Column	Max. size of existing Round Post (Diameter)	Max. Size of Existing Square Post
8"	4	5-3/4"	x 5-3/4"



Step 1. Measure height of existing post and if necessary cut staves to match length.

Step 2. Snap (2) staves together to form a half column, then slide half cap over one end of column and half base over the opposite end. To prevent cap and base from sliding downward, wedge two pieces of cardboard (or any suitable material) between the column shaft and cap/base approximately 12" from top and bottom. (Fig. 1).

Step 3. Secure one half of the column to the overhead beam (top) and slab (bottom) with the provided angle brackets. (Fig. 2).

Step 4. Now, use a rubber mallet to snap the other column half to the half already secured in Step 3. Use remaining angle brackets to secure last half. (Fig. 3).

Step 5. Slide cap/base flush to the overhead beam and slab and attach to the aluminum columns using provided screws. If necessary caulk bevel where cap and base join. (Fig. 4).

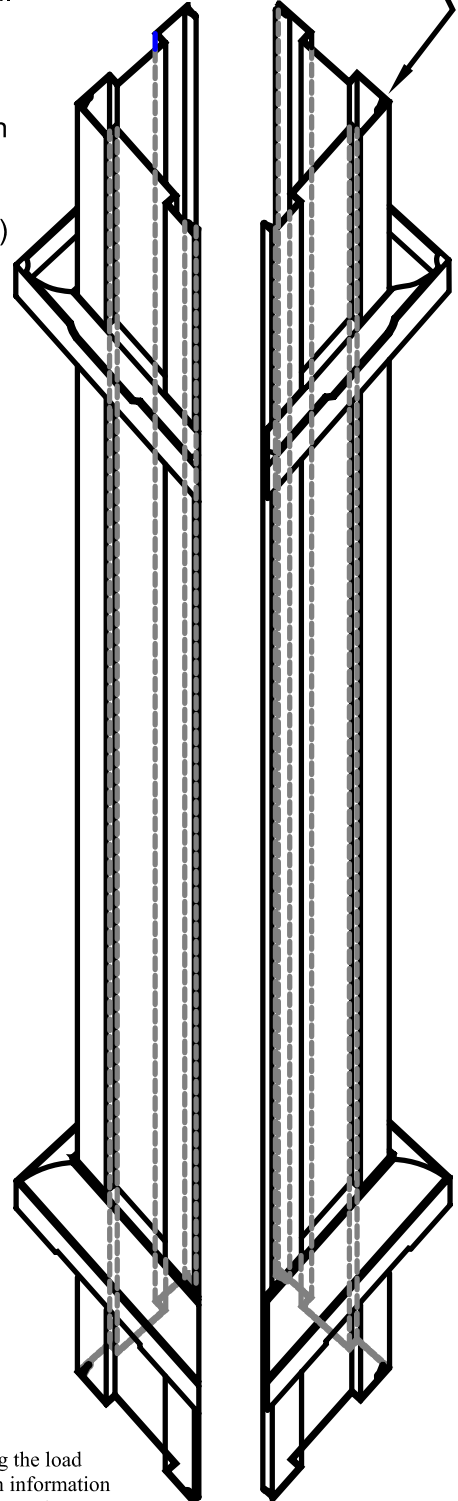


Fig. 2

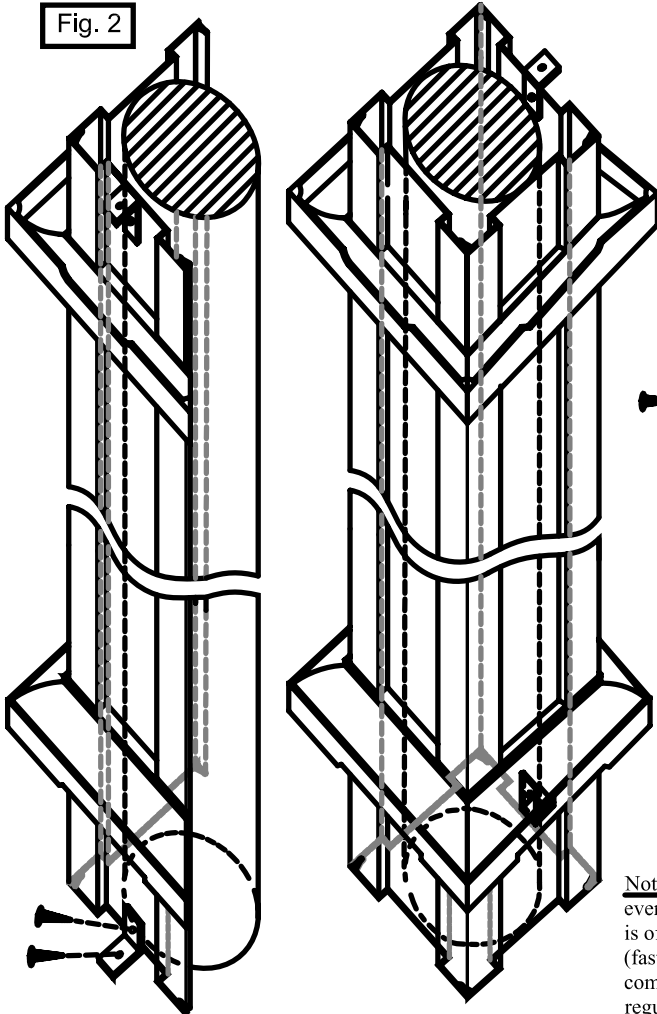
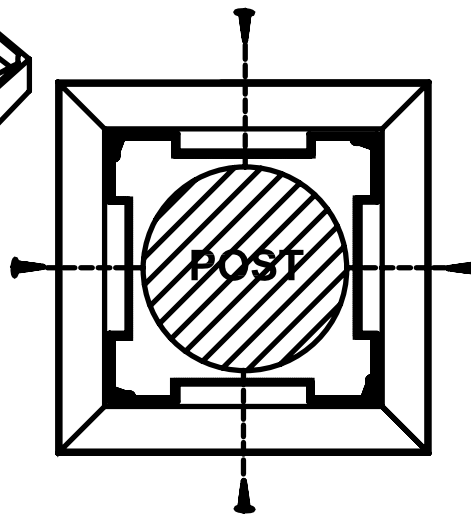


Fig. 4

TOP VIEW



Note: Load-bearing capacity is dependent on distributing the load evenly over bearing surfaces of the shaft. All installation information is of a general nature; columns should be installed and secured (fastened) according to standard construction practices and in compliance with applicable local, state and federal building regulations.