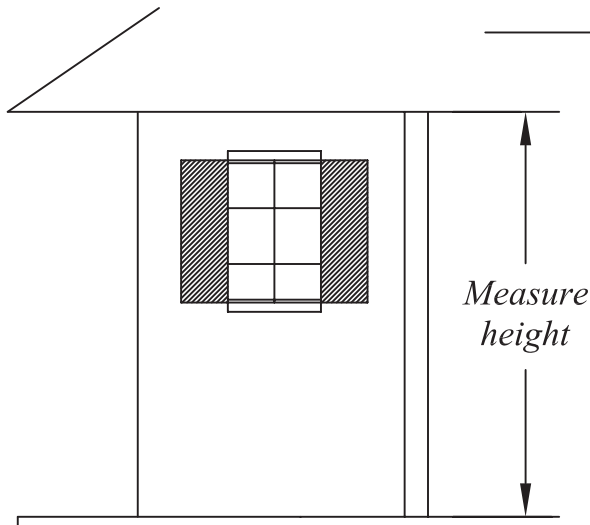
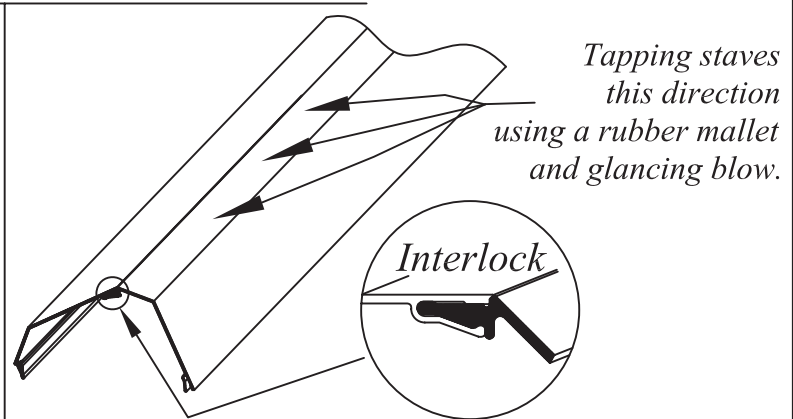


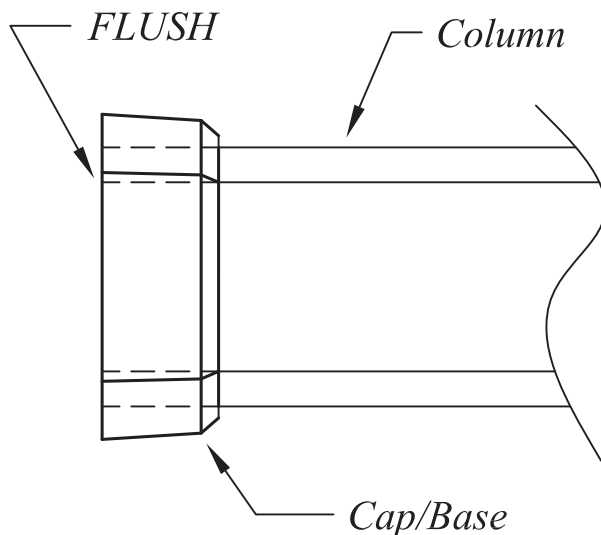
6" Craftsman Column - Assembly & Installations



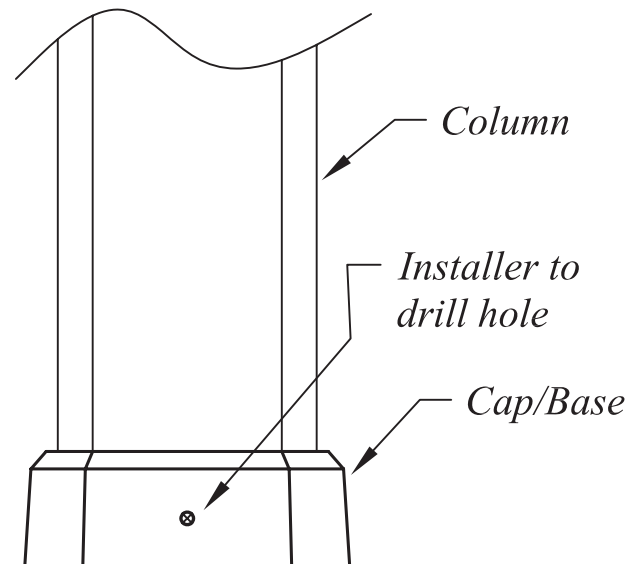
STEP 1. Measure height of opening and cut column staves with hack saw $\frac{1}{4}$ " longer than opening.



STEP 2. Lay (2) staves on the solid surface and assemble by snapping interlocks together at corners using rubber mallet in the direction as shown. Continue process with remaining staves.



STEP 3. Slide cap and base onto each end of column. Column must extend thru cap and base for proper installation. Slide cap/base up or down to fit FLUSH with header or floor.



STEP 4. Secure cap and base with screws provided.

Note: Load-bearing capacity is dependent on distributing the load evenly over bearing surfaces of the shaft. All installation information is of a general nature; columns should be installed and secured (fastened) according to standard construction practices and in compliance with applicable local, state and federal building regulations.