

WRAPPING SQUARE COLUMN AROUND AN EXISTING POST
ASSEMBLY & INSTALLATION INSTRUCTIONS

SIZE CHART

| AFCO SQUARE COLUMN SIZE | No. of Staves Per Column | Max. size of existing round post (Diameter) | Max. Size of Existing Square Post (Diameter) |
|-------------------------|--------------------------|---|--|
| 10" | 8 | 8 1/2" | 8 1/2" |
| 12" | 8 | 10" | 10" |

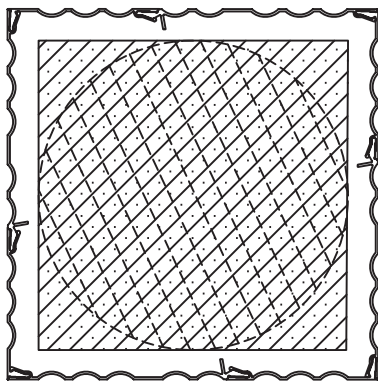


Fig. 1

Step 1. Measure height of existing post and if necessary cut column staves with a saw.

Step 2. Snap all staves together around the existing post as shown (Fig. 1).

Step 3. Locate L-shaped brackets around column at top and bottom and secure with screws (Fig. 2).

Step 4. Attach the split cap & base to the column with screws as shown (Fig. 3).

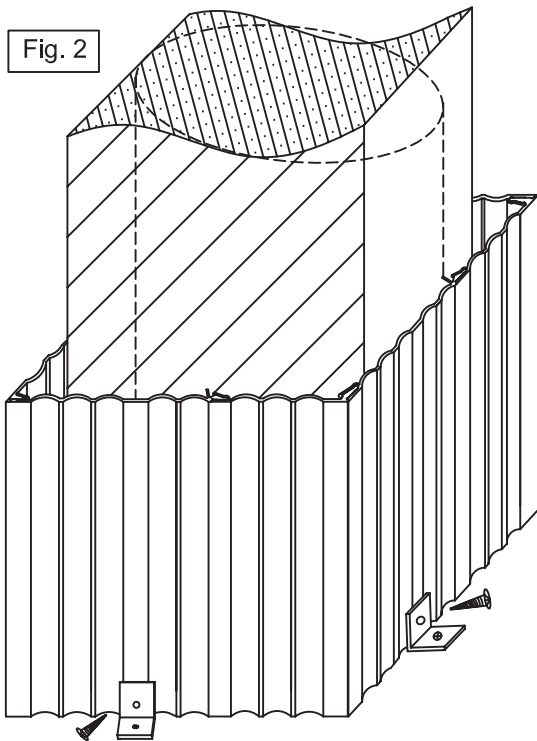


Fig. 2

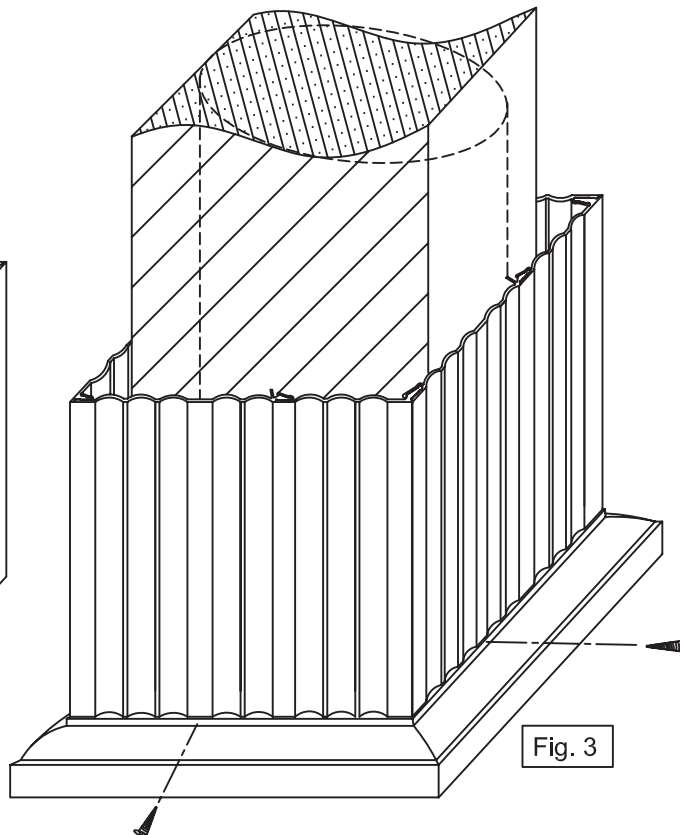
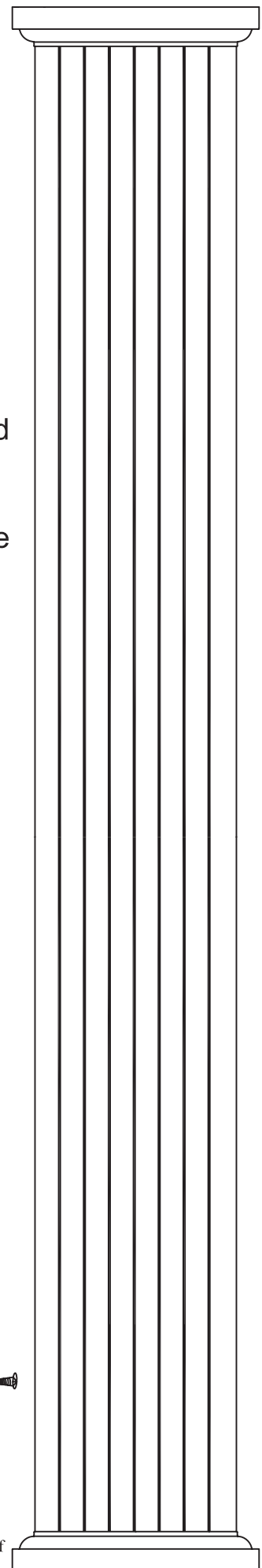


Fig. 3



Note: Load-bearing capacity is dependent on distributing the load evenly over bearing surfaces of the shaft. All installation information is of a general nature; columns should be installed and secured (fastened) according to standard construction practices and in compliance with applicable local, state and federal building regulations.

WRAPPING SQUARE COLUMN AROUND AN EXISTING POST
ASSEMBLY & INSTALLATION INSTRUCTIONS

SIZE CHART

| AFCO SQUARE COLUMN SIZE | No. of Staves Per Column | Max. size of existing round post (Diameter) | Max. Size of Existing Square Post (Diameter) |
|-------------------------|--------------------------|---|--|
| 4" | 2 | 3.0" | 3.0" |
| 6" | 4 | 4 7/8" | 4 1/2" |
| 8" | 4 | 6 7/8" | 6 1/2" |

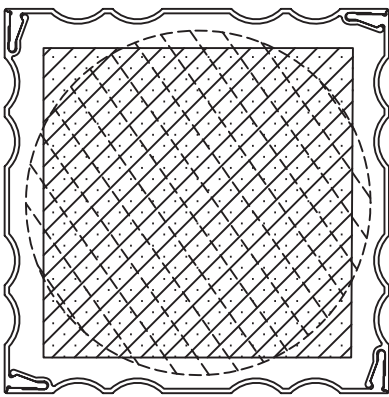


Fig. 1

Step 1. Measure height of existing post and if necessary cut column staves with a saw.

Step 2. Snap all staves together around the existing post as shown (Fig. 1).

Step 3. Locate L-shaped brackets around column at top and bottom and secure with screws (Fig. 2).

Step 4. Attach the split cap & base to the column with screws as shown (Fig. 3).

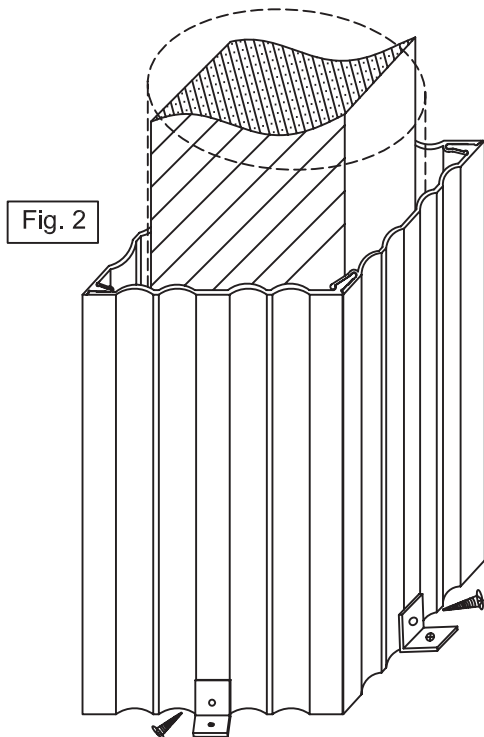


Fig. 2

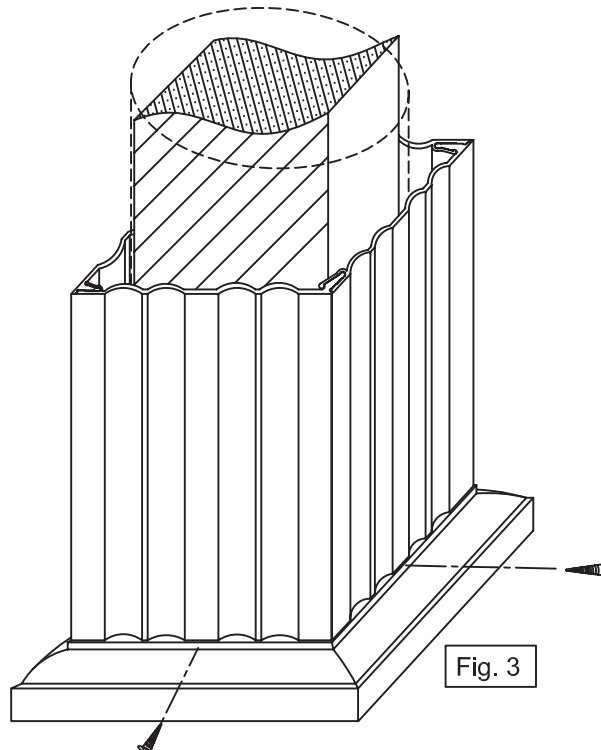


Fig. 3

