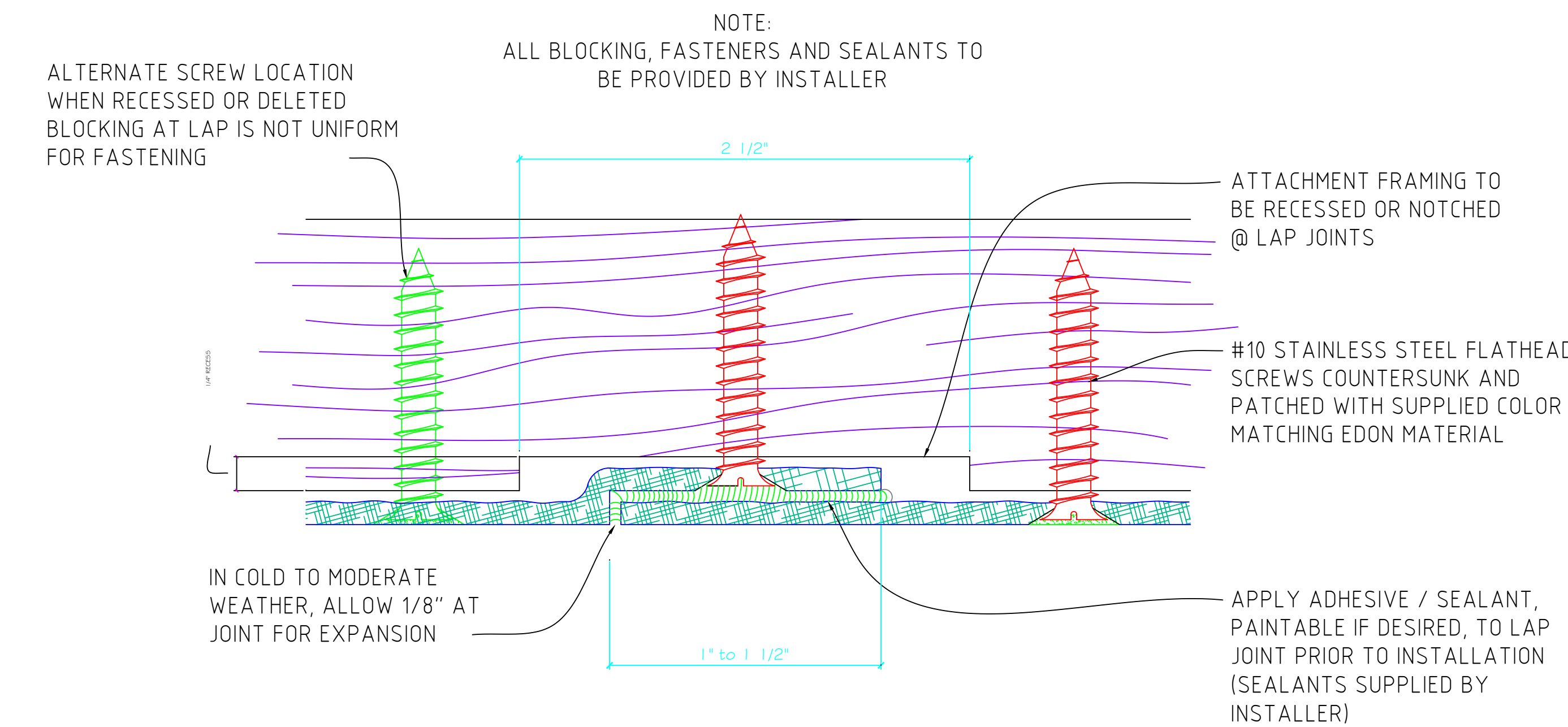
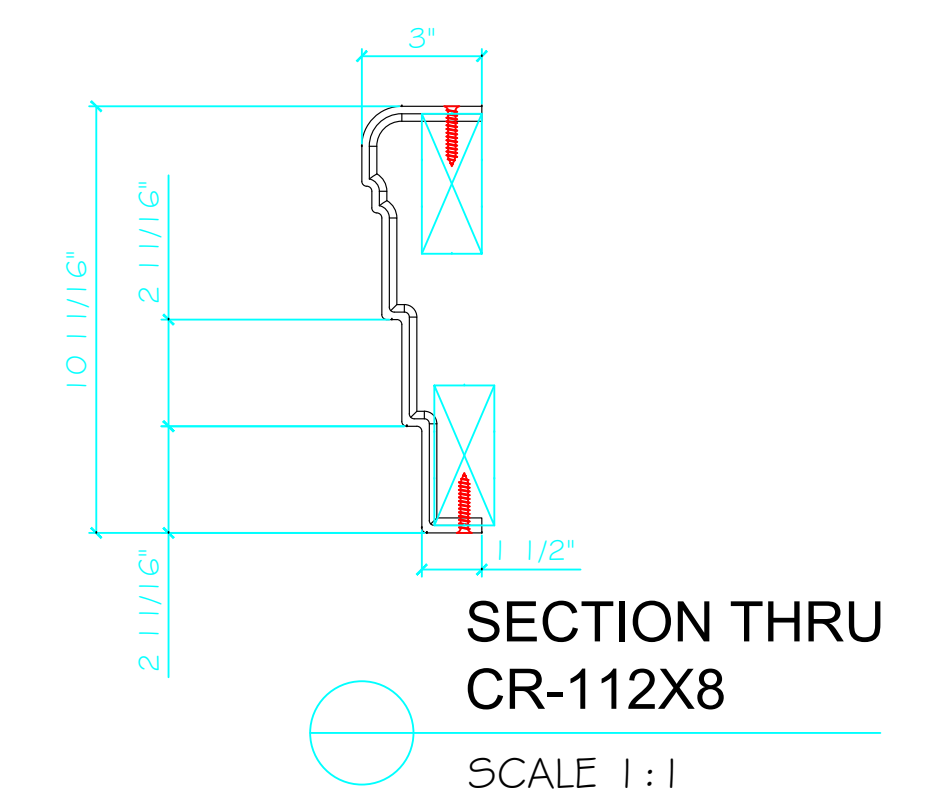
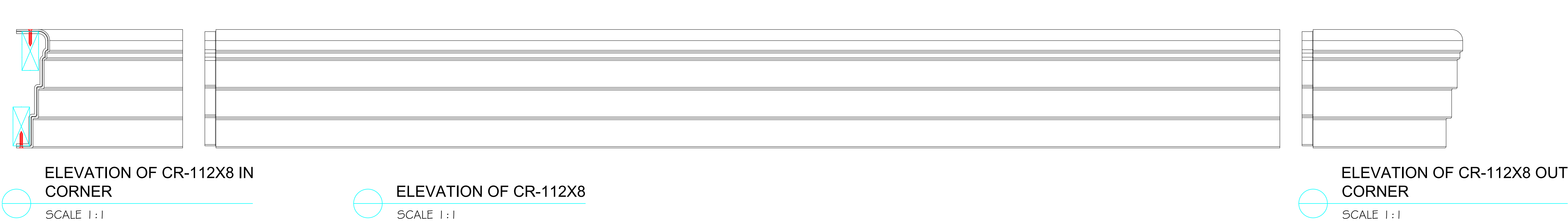


# CR-1 12x8 Manufactured by: Architectural Augmentations, LLC



CR-112X8 IN CORNER FROM TOP  
SCALE 1:1



**B**  
**1** LAP JOINT DETAIL  
FULL SCALE