
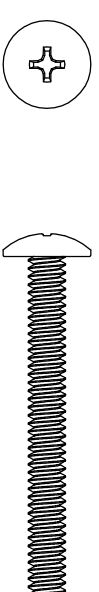

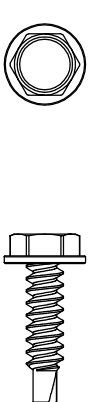
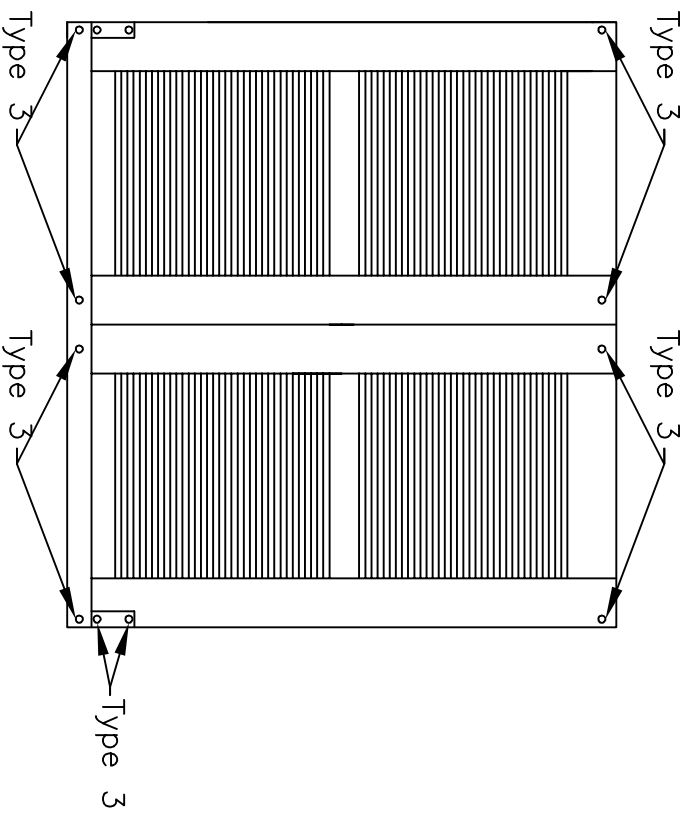


Fastener Schedule for Classic Impact Bahamas

Type 1	<ul style="list-style-type: none"> - 10-24 x 1 1/2" Truss Head, 304SS - #2 Phillips Screw Driver - Qty: 4 per opening (typically pre-installed) 	
Type 2	<ul style="list-style-type: none"> - 10-24 x 1 3/4" Truss Head, 304SS - #2 Phillips Screw Driver - Qty: 8 per opening, 4 pre-installed (typ.), 2 per deck hinge 	
Type 3	<ul style="list-style-type: none"> - 10-24 Nylox Nut, 304SS - 3/8" Wrench or Nut Driver - Qty: 16 per opening, 12 pre-installed (typ.) 2 per deck hinge 	
Type 4	<ul style="list-style-type: none"> - #10 x 3/4" Self Tapping Indented Hex Head, 18-8SS - 5/16" Nut Driver - Qty: 2 per stand off rod or 4 per opening 	

Back of Shutter (typ.)



Front of Shutter (typ.)

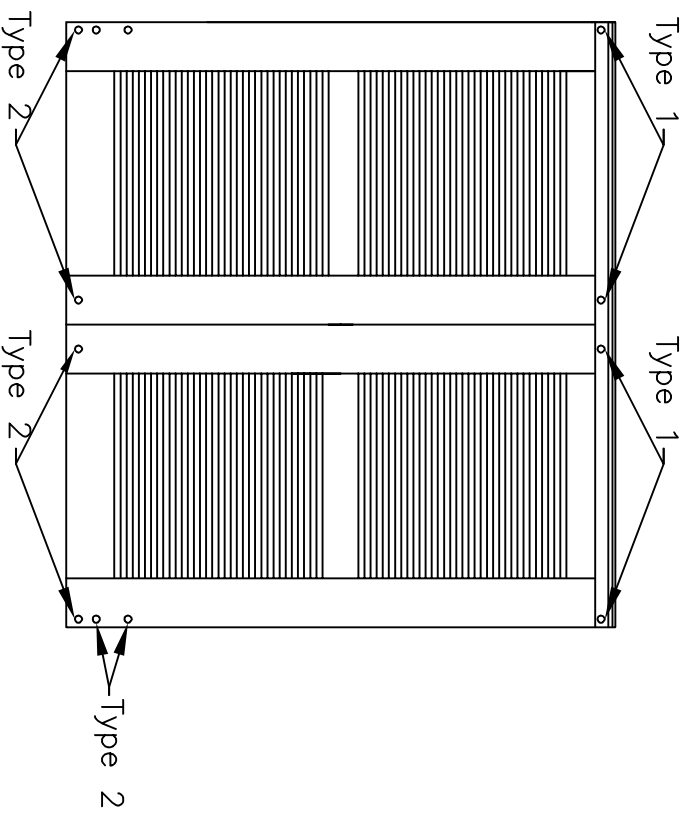
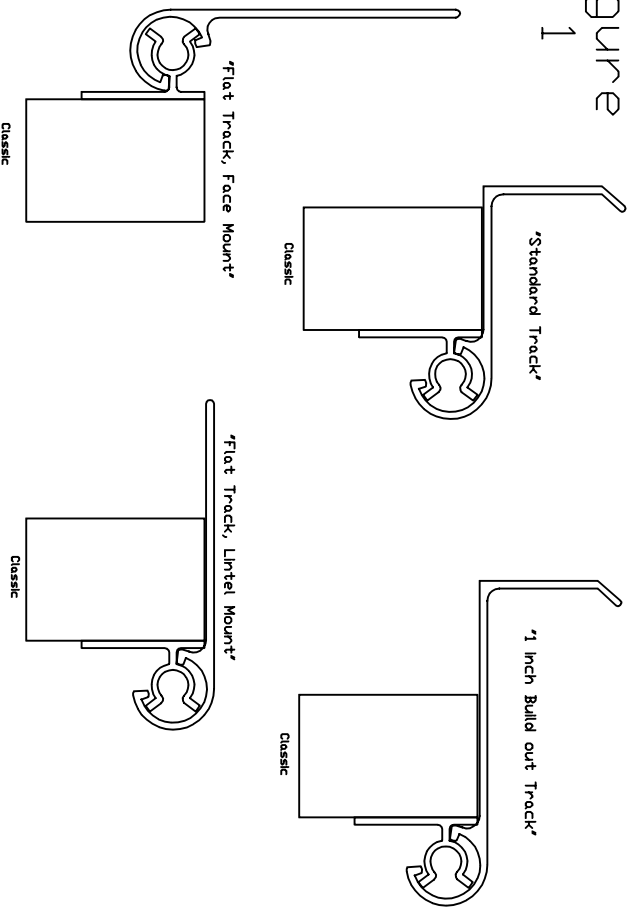


Figure 1



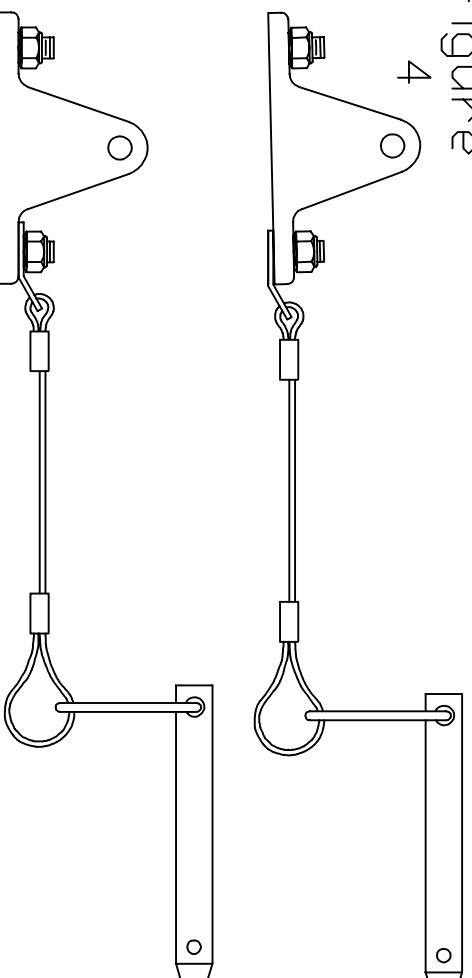
Inventory female track and verify placement of male track on shutters. See above for mounting configurations. Male track goes on face of shutter in all cases except 'face mount,' (shutter thickness shown for reference)

Figure 2

Embed Schedule	
Substrate	Recommended Anchor
Wood	#10 Deck Screw or Equivalent (2" or greater embed into Structure required)
Concrete	#10 Tapcon (1 3/4" or greater embed required)
Brick (Solid)	#10 Tapcon (1 3/4" or greater embed required)
Brick (Hollow, non Structural)	Holes must be thru drilled to access Structural
Block (Hollow, Structural)	#10 Epoxy Concrete Anchors of appropriate length, Toggles or Tapcons also acceptable

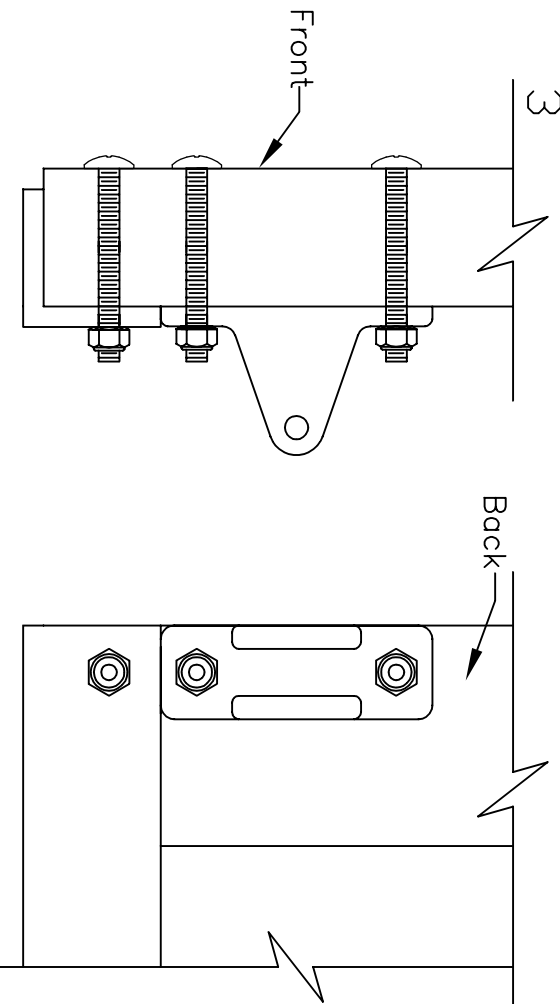
Using the schedule above, select appropriate fastener for female hinge. Pre-drill holes in female hinge on 8" centers (minimum).

Figure 4



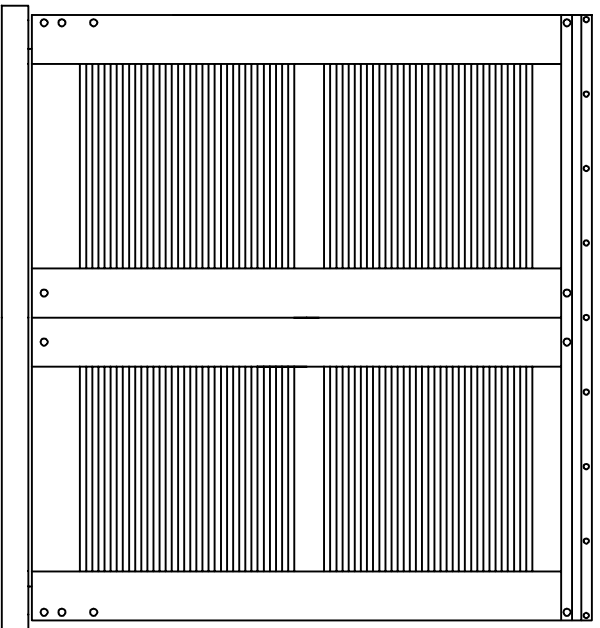
For code compliance, detent pins are supplied with 'dongles' that can either be attached under the deck hinge (top), under the nylon nut for the deck hinge (bottom), or with a separate fastener (not shown).

Figure 3



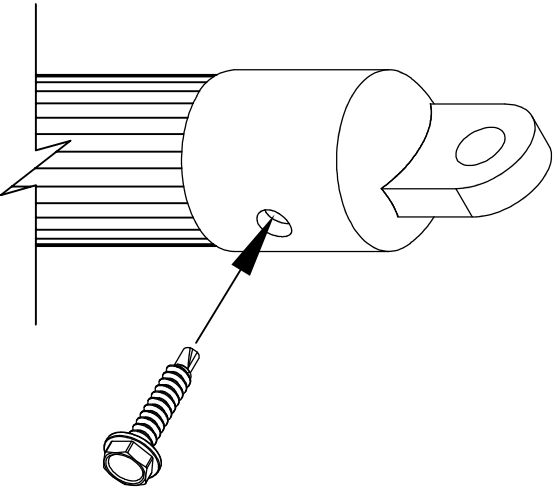
Secure deck hinges on back of shutter with thru bolts provided. Be sure to place deck hinges so that mating hinges on building are mounted to structural substrate. Also consider ease of use and access when closing.

Figure 5



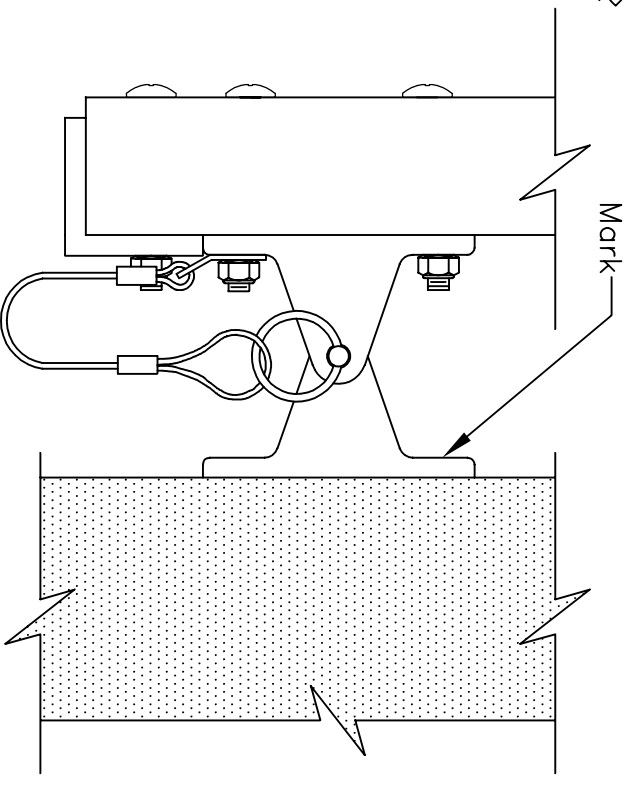
Slide female top track on to male track, place and center shutter in opening. Use shims under shutter to set sill gap then secure top track to building.

Figure 7



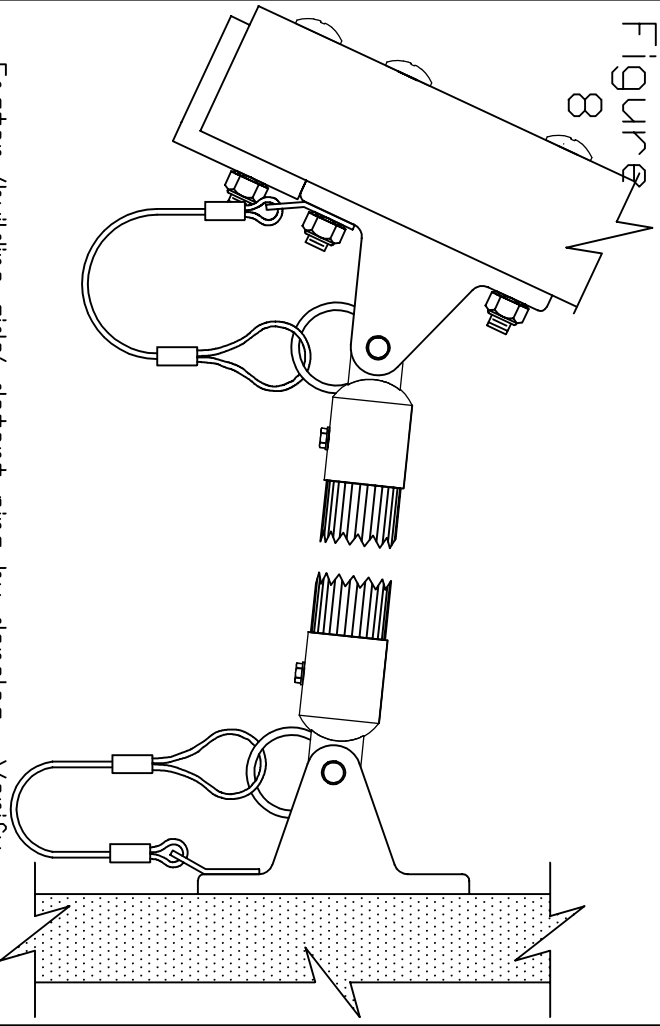
Discard set screws if included in rod end. Insert serrated tubing into one rod end and secure with type 4 screw. Secure rod and the second rod end to deck hinges with detent pins. Align second rod end and secure.

Figure 6



Secure building side deck hinge with detent pin as shown and close shutter. Mark location of deck hinge holes on building. Open shutter, remove deck hinge and secure to building with appropriate fastener from embed schedule.

Figure 8



Fasten 'building side' detent pins by dongles. Verify shutter operation. Ensure detent pins are inserted from the center of the opening out so that pull rings are accessible from inside the building.