

installation instructions:

# FIBERTHANE

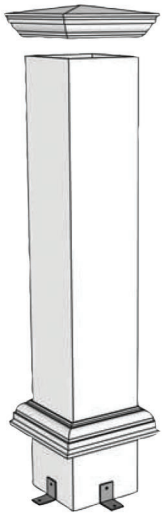


Figure 1

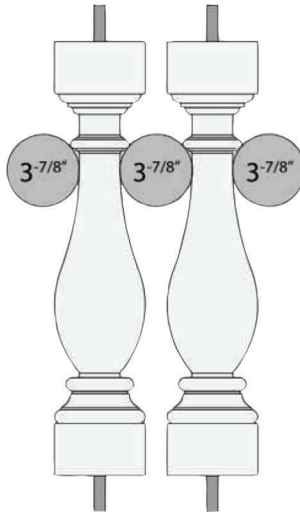


Figure 2

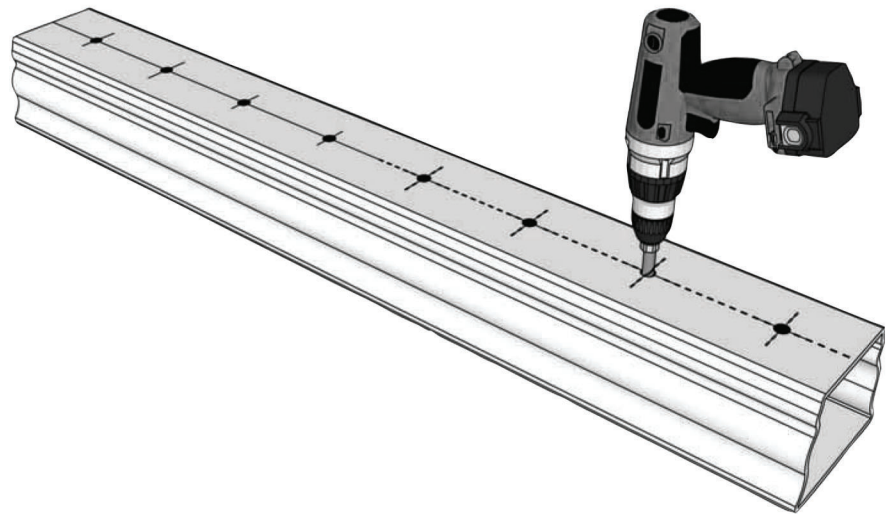


Figure 3

## Balustrade Installation Instructions

### 1. Installing Newel Posts (Figure 1)

- Use the installation kit or appropriate installation hardware.
- Slide the trim collar down to cover up the hardware and glue the collar in place.
- Glue the post cap in place with PL Premium.

### 2. Rails Lengths Need

- Measure the distance for each section of the balustrade you need.
- Cut your top and bottom rails to the lengths that you measured for each section. Cut rails 1/4" shorter than needed if using the Quick-Install installation brackets. The rail installation brackets will make up for this 1/4".

### 3. Determine How Many Spindles You Need for Each Section (Figure 2)

- Divide each section length by the spindle's 'Recommended On-Center Spacing.' This is the maximum spacing to pass the nation-wide 4" sphere code.
- Round up to the nearest full number. This is how many spindles you are going to use.

### 4. Spindle Spacing and Pre-Drilling (Figure 3)

- Take the number of spindles that you calculated in step #3 and divide the section's length by that number. This will give you the exact on-center-spacing for that specific section (each section that is a different length will have slightly different on-center-spacing).
- Find and mark the centerline on the top and bottom rails.
- Take the on-center-spacing calculated in "A", and divide it by 2. This will give you the distance from the newel post or wall to drill your first hole. Drill your first hole at this point on the centerline.
- Drill each additional hole along the centerline at a distance of the on-center-spacing calculated in "A" until all holes are drilled for the section.

installation instructions:

# BALUSTRADE

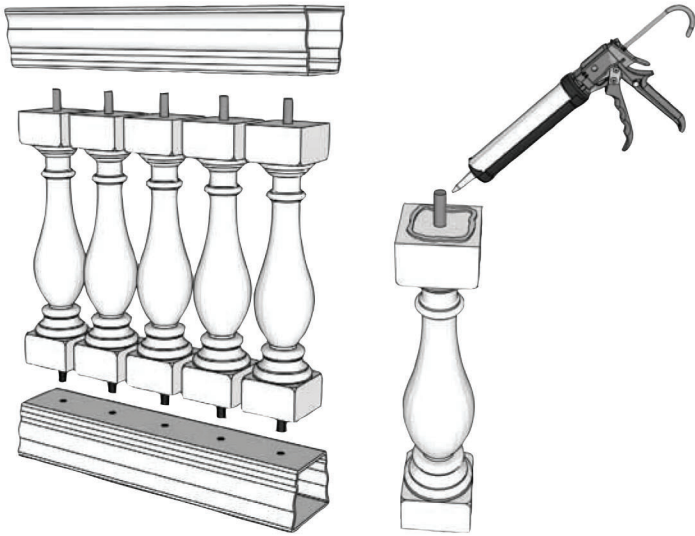


Figure 4

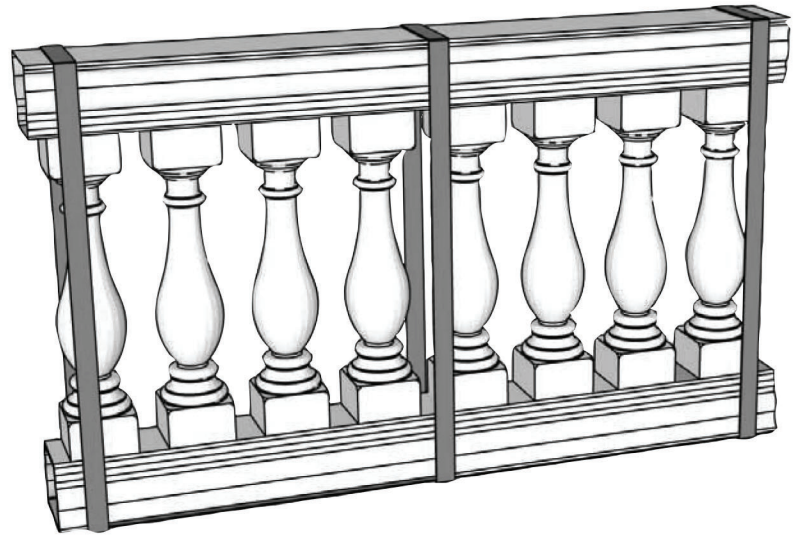


Figure 4

## 5. Assemble Each Section (Figure 4)

- Apply a small bead of PL Premium adhesive to the bottom of each spindle. Insert the bottom of the spindle rods into the pre-drilled holes on the bottom rail. Do this for every spindle in the section.
- Apply a small bead of PL Premium adhesive on the top of each spindle.
- Place the top rail over the spindles, inserting the spindle rods into the pre-drilled holes on the top rail.
- Use straps to hold the balustrade section together while the adhesive dries.
- PL Premium normally dries within 24 hours.
- Remove excess adhesive.
- Remove straps once adhesive sets.

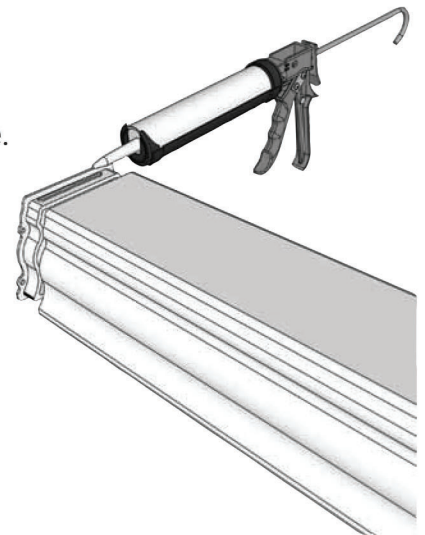


Figure 5

## 6. Attach the Assembled Sections to the Newel Posts or Wall (Figure 5)

- Apply a bead of adhesive to the rail installation bracket insert.
- Insert the rail installation brackets into each side of the top and bottom rail.
- Screw the railing brackets into your newel posts/wall.

**!** NOTE: Finished system must be painted with an exterior grade 100% acrylic latex paint.

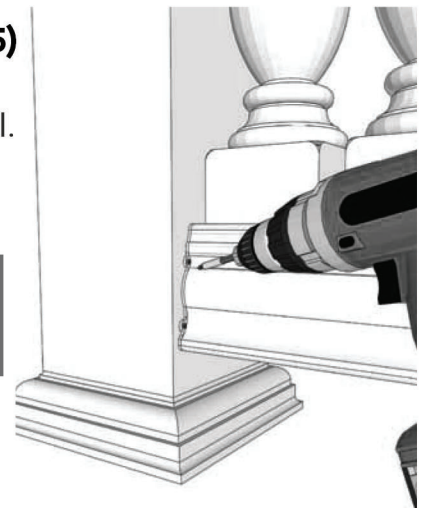


Figure 5